

SUBMITTAL

Duct Temperature Transmitter

Part Number:

PRODUCT SELECTION INFORMATION:

MODEL	Product Description
TE511B	Duct Temperature Transmitter c/w LCD display °C
TE512B	Duct Temperature Transmitter c/w LCD display °F

CODE	Enclosure (ABS enclosure is standard)
-	ABS enclosure, standard (no code required, leave blank)
W	PVC weatherproof box

CODE	Secondary Sensor (Leave blank if not required)
2	PT100-100 Ω Plat. IEC 751, 385 Alpha, thin film
5	1801 Ω, NTC Thermistor, ±0.2°C
6	3000 Ω, NTC Thermistor, ±0.2°C
7	10,000 Ω, Type 3, NTC Thermistor, ±0.2°C
8	2.252 KΩ, NTC Thermistor, ±0.2°C
9	100,000 Ω, NTC Thermistor, ±0.2°C
12	PT1000-1000 Ω Platinum, IEC 751, 385 Alpha, thin film
13	1000 Ω Nickel
14	10,000 Ω, Type 3, NTC Thermistor, ±0.2°C c/w 11K shunt resistor
15	PT3000 PTC Platinum, ±0.2°C
20	20,000 Ω, NTC Thermistor, ±0.2°C
24	10,000 Ω, Type 2, NTC Thermistor, ±0.2°C

CODE	Probe Length
A	50 mm (2")
B	100 mm (4")
C	150 mm (6")
D	200 mm (8")
E	300 mm (12")
F	450 mm (18")

CODE	Probe Material
2	304 Stainless steel

CODE	Transmitter Output Signal
A	Current 4-20mA
D	Voltage 0-5 Vdc
E	Voltage 0-10 Vdc

CODE	Transmitter Range
1	0 - 35°C (32 - 95°F)
2	0 - 50°C (32 - 122°F)
3	0 - 100°C (32 - 212°F)
*	Custom range, please contact Greystone

TE511B	-	-	E	2	A	2
--------	---	---	---	---	---	---

Greystone Energy Systems, Inc. reserves the right to make design modifications without prior notice.

EXAMPLE: Duct c/w °C LCD, 12" S/S, 4-20mA, 0-50°C
--

*Custom Range:

The TE511/512B single point duct temperature transmitter incorporates a precision platinum RTD encapsulated in a 6.35 mm (0.25") OD, 304 stainless steel probe and is available in various lengths (see ordering chart) All probes provide excellent heat transfer, fast response and resist moisture penetration. A transmitter that provides a high accuracy signal with excellent long term stability, low hysteresis and fast response is available with various ranges. (See ordering chart) A LCD is provided in either °C (511) or °F (512). A secondary sensor option is available.

Sensor Operating Temperature Range	-20 to 105 °C (-4 to 221 °F) Higher ranges available, please contact Greystone
Enclosure	Standard - ABS - UL94-V - NEMA 1 (IP23) Weatherproof (W) - PVC - NEMA 4X (IP66)
Cable	PVC insulated, parallel bonded (100 ohm - Type 2 uses FT-4)
Probe	304 Series stainless steel with spin welded tip
Output Signal	Current: 4-20 mA current loop Voltage: 0-5 or 0-10 Vdc (Factory Configured)
Transmitter Accuracy	±0.1% of span, including linearity
Power Supply	Current: 15-35 Vdc or 22-32 Vac Voltage: 0-5 Vdc: 10-35 Vdc or 10-32 Vac 0-10 Vdc: 15-35 Vdc or 15-32 Vac
Power Consumption	Current: 22.5 mA Max. (Occurs with open sensor) Voltage: 5 mA nominal
PCB Operating Temperature	0° to 70°C (32° to 158°F)
Wiring Connections	Two or three wires Screw terminal block (14 to 22 AWG)
Display Units	°C (511) or °F (512) - Factory set
Display Range	0° to 100°C typical range for transmitter
Display Resolution	0.1°C or 0.1°F for display of 00.0 to 99.9
Display Accuracy	±0.2°C or ±0.2°F over full range
Display Update Rate	3 times per second
Display Size	24 mm W x 11 mm H (0.95" x 0.45") three digit

Installation:

The duct type probes are installed through a hole in the side of the duct to monitor a single point temperature within the duct. Since the probes are tip sensitive, select a probe length that places the sensor well into the duct. Install the probe in a straight section of duct at a suitable distance downstream from any heating, cooling or humidification devices.

Each enclosure style provides mounting tabs on the outside for ease of installation.



Greystone Energy Systems, Inc.
150 English Drive, Moncton, NB
Canada E1E 4G7

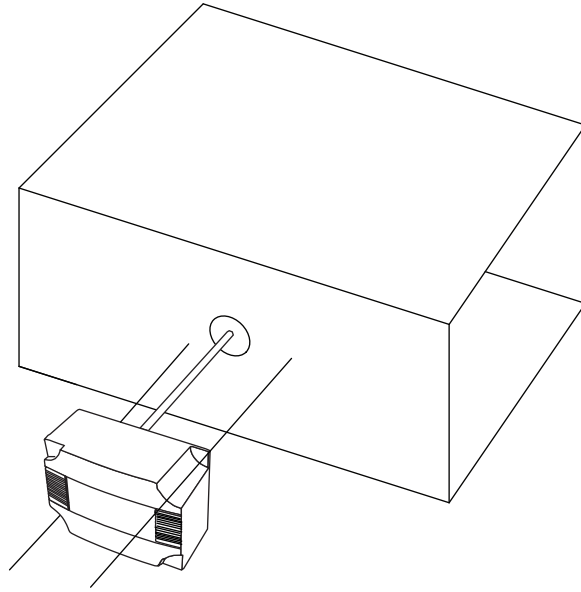
(506) 853-3057 Fax: (506) 853-6014
North America: 1-800-561-5611
e-mail: mail@greystoneenergy.com
www.greystoneenergy.com

RoHS
COMPLIANT

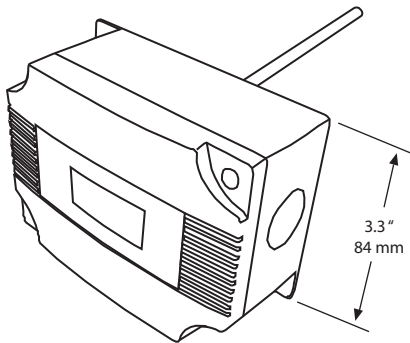




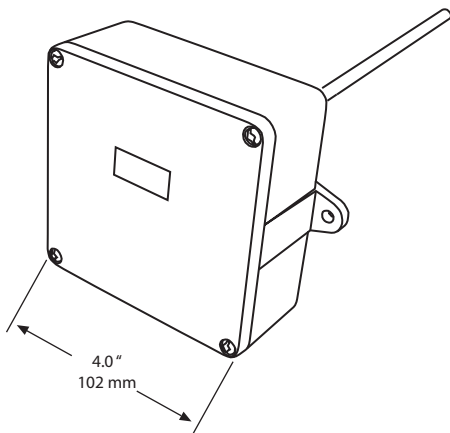
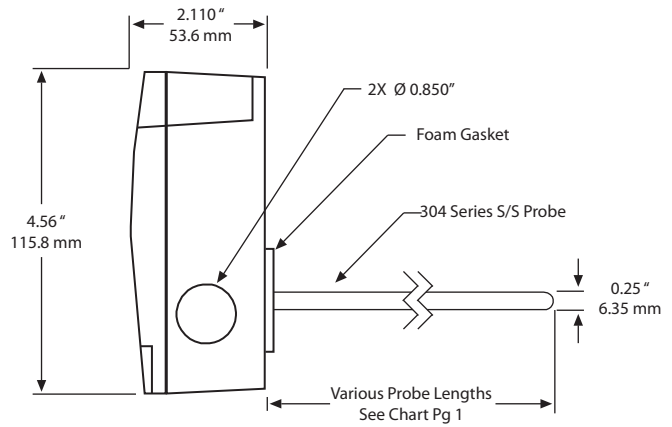
Typical Installation:



Dimensions:



ABS Enclosure



Weatherproof Enclosure

