

SUBMITTAL

Stainless Steel Surface Temperature Sensor

PRODUCT SELECTION INFORMATION:

MODEL	Product Description
TE500AS	Stainless Steel Surface Temperature Transmitter

CODE	Sensor
2	PT100-100 Ω Plat. IEC 751, 385 Alpha, thin film
12	PT1000-1000 Ω Platinum, IEC 751, 385 Alpha, thin film

CODE	Transmitter Output Signal
1A	Current 4-20 mA
1D	Voltage 0-5 Vdc
1E	Voltage 0-10 Vdc

CODE	Transmitter Ranges
1	0° - 35°C (32° - 95°F)
2	0° - 50°C (32° - 122°F)
*	Custom range, please contact Greystone

TE500AS	12	1A	2
---------	----	----	---

Greystone Energy Systems, Inc. reserves the right to make design modifications without prior notice.

EXAMPLE: S/S Surface Transmitter, 4-20mA, 0° - 50°C (32° - 122°F)

***Custom Range:**

Part Number:

The TE500AS series is a single gang, blank stainless steel wall plate that incorporates a precision platinum RTD and a transmitter that provides a high accuracy signal with excellent long-term stability, low hysteresis and fast response for measurement of room temperatures.

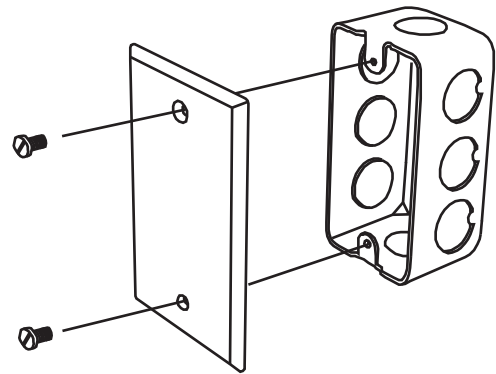
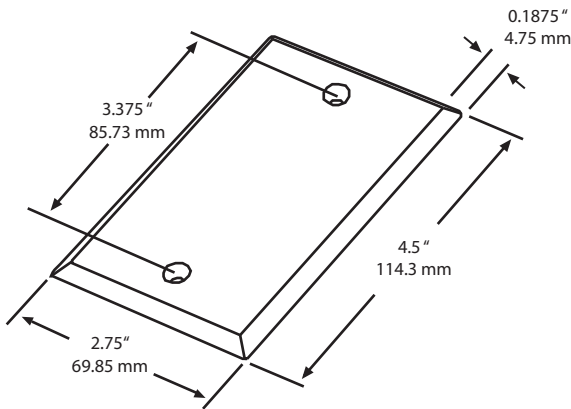
Output Signal	Current: 4-20 mA current loop Voltage: 0-5 or 0-10 Vdc (Factory Configured)
Transmitter Accuracy	±0.1% of span, including linearity
Power Supply	Current: 15-35 Vdc or 22-32 Vac Voltage: 0-5 Vdc: 10-35 Vdc or 10-32 Vac 0-10 Vdc: 15-35 Vdc or 15-32 Vac
Power Consumption	Current: 22.5 mA Max. (Occurs with open sensor) Voltage: 5 mA nominal
Operating Temperature	0° to 70°C (32° to 158°F)
Wiring Connections	Two or three wires Screw terminal block (14 to 22 AWG)
Enclosure	Stainless Steel, single gang wall plate

Installation:

For complete installation and wiring details, please refer to the product installation instructions.

The TE500AS series can be flush mounted directly to a single gang electrical box or directly to a wall. Insulating foam is adhered to the back of the wall plate to provide a thermal barrier from internal wall temperatures.

A screw terminal block is provided for connection to the Building Automation System.



GREYSTONE

ACCURACY BY DESIGN

Greystone Energy Systems, Inc.
150 English Drive, Moncton, NB
Canada E1E 4G7

(506) 853-3057 Fax: (506) 853-6014
North America: 1-800-561-5611
e-mail: mail@greystoneenergy.com
www.greystoneenergy.com

RoHS
COMPLIANT

