

# SUBMITTAL

## Room Executive Temperature Transmitter

Part Number:

### PRODUCT SELECTION INFORMATION:

MODEL	Product Description
TE500AE	Room Executive Temperature Transmitter

CODE	Sensor
2	PT100-100 Ω Platinum, IEC 751, 385 Alpha, thin film
12	PT1000-1000 Ω Platinum, IEC 751, 385 Alpha, thin film

CODE	Options (Multiple selections can be made)
AP	20-30K linear slide pot for set point control (call for other values*)
BS	Exposed push button momentary switch - N.O.
AM	Alcohol thermometer °C/°F
BC	Bimetal thermometer °C
BF	Bimetal thermometer °F
AC	3-digit LCD temperature indicator °C (See specs below)
AF	3-digit LCD temperature indicator °F (See specs below)

CODE	Sensor
1A	Current 4-20 mA
1D	Voltage 0-5 Vdc
1E	Voltage 0-10 Vdc

CODE	Sensor
1	0° - 35°C (32 - 95°F)
2	0° - 50°C (32 - 122°F)
*	Custom range, please contact Greystone

TE500AE 12 BS 1A 1

Greystone Energy Systems, Inc. reserves the right to make design modifications without prior notice.

**EXAMPLE:** Executive space, 4-20 mA, 0°-35°C & momentary override

**\*Custom Range:**

**LCD Specifications:**

Power Supply.....	12 to 30 Vac/dc at 2mA max
Display Units .....	°C or °F (Factory set)
Display Range .....	0° - 35°C (AC option)
	32° - 95°F (AF option)
Display Resolution .....	0.1°C or 0.1°F for display of 00.0 to 99.9
Display Accuracy .....	±0.2°C or ±0.2°F over full range
Display Update Rate .....	3 times per second
Display Size .....	24 mm W x 11 mm H (0.95" x 0.45") three digit

The TE500AE series is an attractive, low profile enclosure that incorporates a precision platinum RTD and a transmitter that provides a high accuracy signal with excellent long term stability, low hysteresis and fast response for measurement of room temperatures. Additional options are available which include setpoint adjustment, manual override & LCD display.

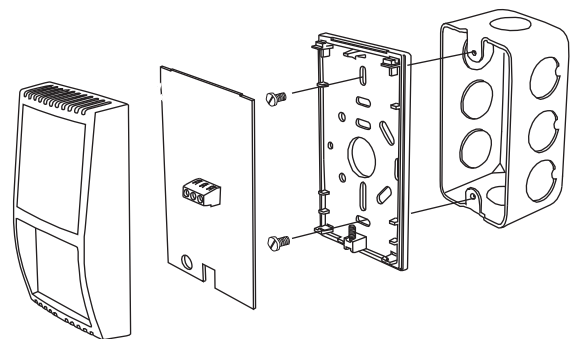
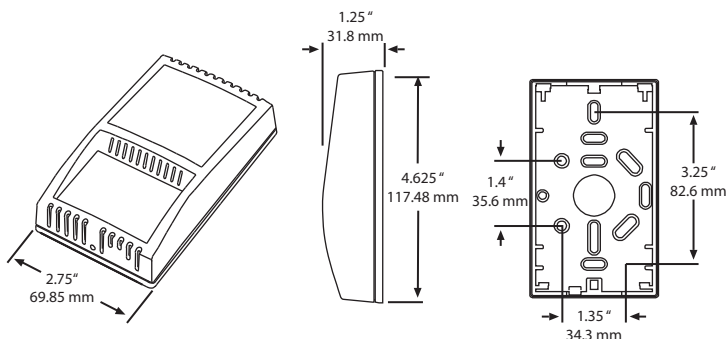
Output Signal	<b>Current:</b> 4-20 mA current loop <b>Voltage:</b> 0-5 or 0-10 Vdc (Factory Configured)
Transmitter Accuracy	±0.1% of span, including linearity
Power Supply	<b>Current:</b> 15-35 Vdc or 22-32 Vac <b>Voltage:</b> 0-5 Vdc: 10-35 Vdc or 10-32 Vac 0-10 Vdc: 15-35 Vdc or 15-32Vac
Power Consumption	<b>Current:</b> 22.5 mA Max. (Occurs with open sensor) <b>Voltage:</b> 5 mA nominal
Operating Temperature	0° to 70°C (32 to 158°F)
Wiring Connections	Two or three wires Screw terminal block (14 to 22 AWG)
Enclosure	ABS - White

### Installation:

**For complete installation and wiring details, please refer to the product installation instructions.**

The TE500AE series can be mounted directly to a single gang electrical box or directly to a wall. Insulating foam is adhered to the back of the enclosure to provide insulation from wall temperatures.

The sensor is either a 2 wire or 3 wire connections to the Building Automation System depending on the output model ordered.



# GREYSTONE

ACCURACY BY DESIGN

Greystone Energy Systems, Inc.  
150 English Drive, Moncton, NB  
Canada E1E 4G7

(506) 853-3057 Fax: (506) 853-6014  
North America: 1-800-561-5611  
e-mail: mail@greystoneenergy.com  
www.greystoneenergy.com

RoHS  
COMPLIANT

