

# SUBMITTAL Room Designer Temperature Transmitter

Part Number:

## PRODUCT SELECTION INFORMATION:

MODEL	Product Description
TE500AD	Room Designer Temperature Transmitter

CODE	Sensor
2	PT100-100 Ω Platinum, IEC 751, 385 Alpha, thin film
12	PT1000-1000 Ω Platinum, IEC 751, 385 Alpha, thin film (Standard)

CODE	Transmitter Output Signal
1A	Current 4-20 mA
1D	Voltage 0-5 Vdc
1E	Voltage 0-10 Vdc

CODE	Transmitter Ranges
1	0° - 35°C (32° - 95°F)
2	0° - 50°C (32° - 122°F)
*	Custom range, please contact Greystone

TE500AD	12	1A	1
---------	----	----	---

Greystone Energy Systems, Inc. reserves the right to make design modifications without prior notice.

**EXAMPLE:** Designer space transmitter, 4-20 mA, 0°-35°C (32° - 95°F)

\*Custom Range:

The TE500AD series is an attractive, low profile enclosure that incorporates a precision platinum RTD and a transmitter that provides a high accuracy signal with excellent long-term stability, low hysteresis and fast response for measurement of room temperatures.

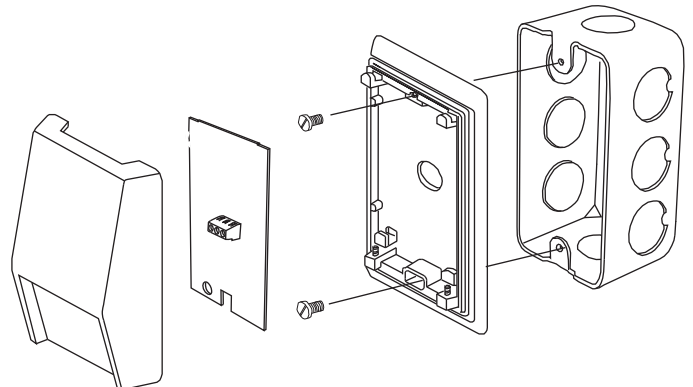
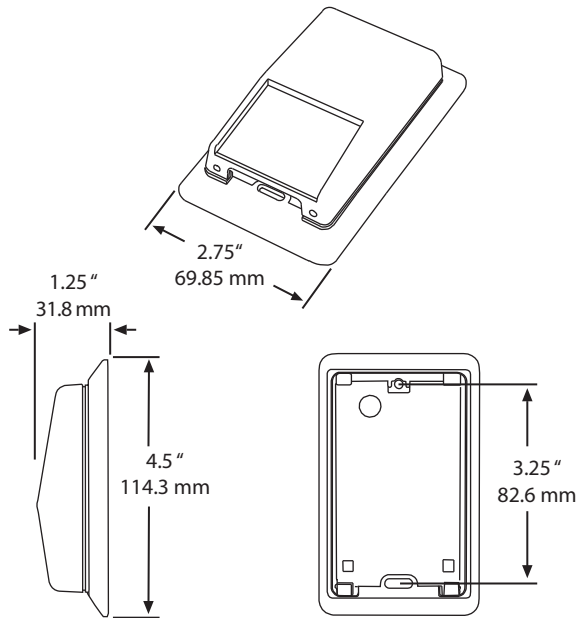
Output Signal	<b>Current:</b> 4-20 mA current loop <b>Voltage:</b> 0-5 or 0-10 Vdc (Factory Configured)
Transmitter Accuracy	±0.1% of span, including linearity
Power Supply	<b>Current:</b> 15-35 Vdc or 22-32 Vac <b>Voltage:</b> 0-5 Vdc: 10-35 Vdc or 10-32 Vac 0-10 Vdc: 15-35 Vdc or 15-32Vac
Power Consumption	<b>Current:</b> 22.5 mA Max. (Occurs with open sensor) <b>Voltage:</b> 5 mA nominal
Operating Temperature	0° to 70°C (32° to 158°F)
Wiring Connections	Two or three wires Screw terminal block (14 to 22 AWG)
Enclosure	ABS - White

### Installation:

**For complete installation and wiring details, please refer to the product installation instructions.**

The TE500AD series can be mounted directly to a single gang electrical box or directly to a wall. Insulating foam is adhered to the back of the enclosure to provide insulation from wall temperatures.

The sensor is either a 2 wire or 3 wire connections to the Building Automation System depending on the output model ordered.



# GREYSTONE

ACCURACY BY DESIGN

Greystone Energy Systems, Inc.  
150 English Drive, Moncton, NB  
Canada E1E 4G7

(506) 853-3057 Fax: (506) 853-6014  
North America: 1-800-561-5611  
e-mail: mail@greystoneenergy.com  
www.greystoneenergy.com

RoHS  
COMPLIANT

