



# GREYSTONE

ACCURACY BY DESIGN

## SPACE EXECUTIVE TEMPERATURE SENSOR TE200AE Series



The TE200AE series is an attractive, low profile enclosure that incorporates a precision temperature sensor used to monitor room temperatures. Additional options are available that include setpoint adjustment & manual override.

### SPECIFICATION:

Sensor Type:.....Thermistor or RTD  
See Ordering Chart  
Temperature Range:..0 to 70 °C (32 to 158 °F)  
Enclosure:.....ABS - White  
Dimensions:.....114.3mm L x 69.85mm W x 31.8 mm D  
(4.5" x 2.75" x 1.25")  
Termination:.....Sensor Only: Pigtail 2 or 3 wire  
Sensor with Options: Terminal Block

**LCD Specifications:**  
Power Supply:.....12 to 30 Vac/dc at 2mA max  
Display Units:.....°C or °F (Factory set)  
Display Range:.....0 – 35°C (AC option)  
32 – 95°F (AF option)  
Display Resolution:.....0.1°C or 0.1°F for display of 00.0 to 99.9  
Display Accuracy:.....±0.2°C or ±0.2°F over full range  
Display Update Rate:..3 times per second  
Display Size:.....24 mm W x 11 mm H (0.95" x 0.45") three digit

### TYPICAL INSTALLATION:

**For complete installation and wiring details, please refer to the product installation instructions.**

The TE200AE series can be mounted directly to a single gang electrical box or directly to a wall. Insulating foam is adhered to the back of the enclosure to provide a thermal barrier from internal wall temperatures.

For sensor only models a 2 wire or 3 wire pigtail is used for connection to the Building Automation System. In models with options such as setpoint adjustment or manual override, a terminal block connection is provided.

### PART NUMBER SELECTED

### PRODUCT SELECTION INFORMATION:

MODEL	Product Description
TE200AE	Space Executive Temperature Sensor

CODE	Sensor
2	PT100-100 Ω Plat. IEC 751, 385 Alpha, thin film
5	1801 Ω, NTC Thermistor, ±0.2 C
6	3000 Ω, NTC Thermistor, ±0.2 C
7	10,000 Ω, type 3, NTC Thermistor, ±0.2 C
8	2.252K Ω, NTC Thermistor, ±0.2 C
9	100,000 Ω, NTC Thermistor, ±0.2 C
12	PT1000-1000 Ω Platinum, IEC 751, 385 Alpha, thin film
13	1000 Ω Nickel
14	10,000 Ω, type 3, NTC Thermistor, ±0.2 C c/w 11K shunt resistor
15	PT3000 PTC Platinum, ±0.2 C
20	20,000 Ω, NTC Thermistor, ±0.2 C
24	10,000 Ω, type 2, NTC Thermistor, ±0.2 C

CODE	Options (Multiple selections can be made)
AP	20-30K linear slide pot for set point control (call for other values*)
BS	Exposed push button momentary switch - N.O.
AM	Alcohol thermometer °C/°F
BC	Bimetal thermometer °C
BF	Bimetal thermometer °F
AC	3-digit LCD temperature indicator °C
AF	3-digit LCD temperature indicator °F (See specs below)
FS	4 speed fan switch (call for resistance values*)
LY	Yellow LED
LR	Red LED
LG	Green LED
CJ	3.5 mm Phono jack for remote system access
AE	External jack for remote system access (4-pin header)
AI	Internal jack (RJ-45)
GS	<b>Greystone Customized Version (TE200AE*GS***)</b>

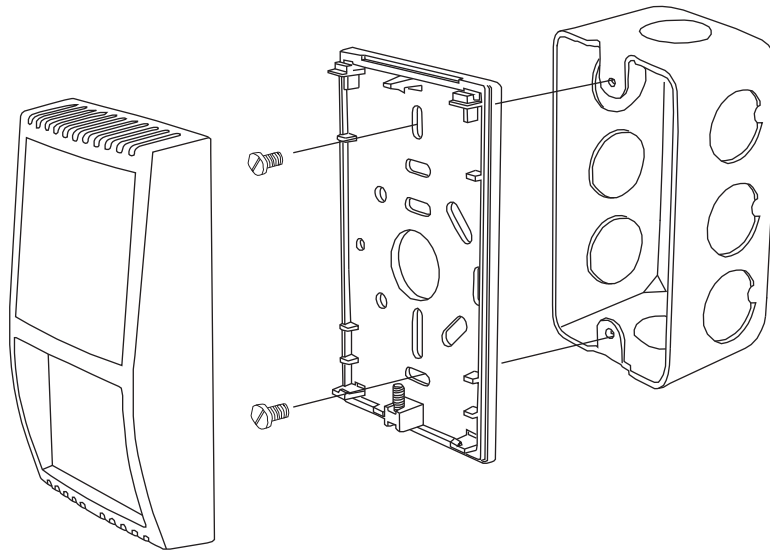
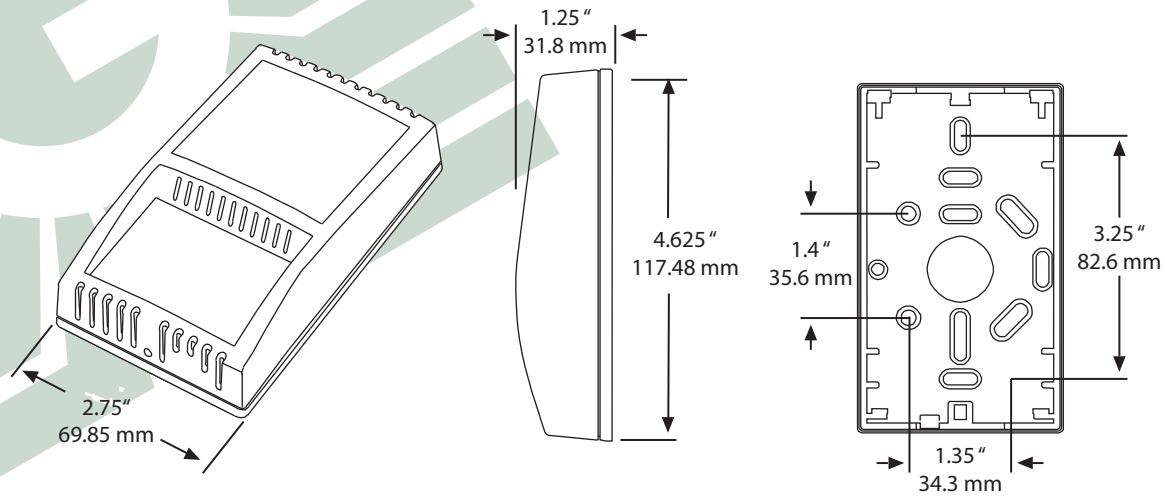
TE200AE    7    AP    BS

Greystone Energy Systems, Inc. reserves the right to make design modifications without prior notice.

Due to the many possible configurations, special part numbers may be required. Please contact Greystone for more information

**TE200AE\*GS\*\*\* Description:**

## Dimensions:



Greystone Energy Systems, Inc. reserves the right to make design modifications without prior notice.



# GREYSTONE

**ACCURACY BY DESIGN**

Greystone Energy Systems, Inc.  
150 English Drive, Moncton, NB  
Canada E1E 4G7

(506) 853-3057 Fax: (506) 853-6014  
North America: 1-800-561-5611  
e-mail: [mail@greystoneenergy.com](mailto:mail@greystoneenergy.com)  
[www.greystoneenergy.com](http://www.greystoneenergy.com)

**RoHS**  
COMPLIANT



*Greystone Energy Systems Inc. is one of North America's largest ISO registered manufacturers of HVAC sensors and transducers for Building Automation Management Systems.*

*We have conscientiously established a worldwide reputation as an industry leader by maintaining leading-edge design technology, prompt technical support, and a commitment to on-time deliveries. We take pride in our Quality Management System which is ISO 9001 certified, assuring our customers of consistent product reliability.*

**GREYSTONE HAS AN ISO 9001 REGISTERED QUALITY SYSTEM**