

# SUBMITTAL

## Strap-on Temperature Transmitter

### PRODUCT SELECTION INFORMATION:

MODEL	Product Description
TE500ES	Strap-on Temperature Transmitter

CODE	Enclosure (ABS enclosure is standard)
-	ABS enclosure, standard (no code required, leave blank)
M	Metal utility box
E	Round ABS, w/gasketed cover
W	Aluminum weatherproof box

CODE	Sensor
2	PT100-100 Ω Plat. IEC 751, 385 Alpha, thin film
12	PT1000-1000 Ω Platinum, IEC 751, 385 Alpha, thin film

CODE	Transmitter Output Signal
1A	Current 4-20mA
1D	Voltage 0-5 Vdc
1E	Voltage 0-10 Vdc

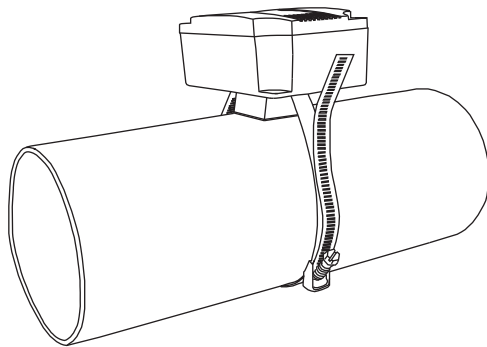
CODE	Transmitter Range
1	0° - 35°C (32° - 95°F)
2	0° - 50°C (32° - 122°F)
3	0° - 100°C (32° - 212°F)
6	-50° - 50°C (-58° - 122°F)
*	Custom range, please contact Greystone

TE500ES - 12 1A 3

Greystone Energy Systems, Inc. reserves the right to make design modifications without prior notice.

**EXAMPLE:** Strap-on, 4-20 mA, 0°-100 °C

\*Custom Range:



# Part Number:

The TE500ES single point strap-on temperature sensor has a precision platinum RTD bonded to a 1.5" x 1.5" Aluminum plate and adhered to a 1" compressible foam. A 10" S/S Pipe clamp is provided to secure the assembly to various sizes of pipe. All probes are constructed to provide excellent heat transfer, fast response and are potted to resist moisture penetration. A transmitter that provides a high accuracy signal with excellent long term stability, low hysteresis and fast response is available with various ranges. (See ordering chart)

Sensor Operating Temperature Range	-20° to 105 °C (-4° to 221 °F) Higher ranges available, please contact Greystone
Enclosure	<b>Standard</b> - ABS - UL94-V - NEMA 1 (IP23) <b>Round (E)</b> - ABS - NEMA 3 (IP64) <b>Metal (M)</b> - Galvanized steel - NEMA 1 (IP23) <b>Weatherproof (W)</b> - Cast Aluminum - NEMA 4X (IP66)
Cable	PVC insulated, parallel bonded (Type 2, 100 ohm Platinum uses FT-4)
Probe	1.5" Square aluminum plate
Output Signal	<b>Current:</b> 4-20 mA current loop <b>Voltage:</b> 0-5 or 0-10 Vdc (Factory Configured)
Transmitter Accuracy	±0.1% of span, including linearity
Power Supply	<b>Current:</b> 15-35 Vdc or 22-32 Vac <b>Voltage:</b> 0-5 Vdc; 10-35 Vdc or 10-32 Vac <b>0-10 Vdc:</b> 15-35 Vdc or 15-32Vac
Power Consumption	<b>Current:</b> 22.5 mA Max. (Occurs with open sensor) <b>Voltage:</b> 5 mA nominal
PCB Operating Temperature	0° to 70°C (32° to 158°F)
Wiring Connections	Two or three wires Screw terminal block (14 to 22 AWG)

### Installation:

**For complete installation and wiring details, please refer to the product installation instructions.**

The TE500ES series can be mounted directly to various sizes of pipes and secured using a 10" S/S pipe clamp.

If necessary, remove a section of insulation from the pipe. The 10" S/S pipe clamp is a "Quick Release" type and can be separated by moving the tightening screw so that it is perpendicular to the clamp and slide the clamp apart. Position the aluminum plate on the pipe so it makes the best contact, wrap the clamp around the pipe and re-assemble and tighten. Any excess clamp may be cut off.

**For best results, thermal conductive compound should be applied to pipe prior to mounting the probe.**

Wiring connections are made inside the enclosure.



# GREYSTONE

ACCURACY BY DESIGN

Greystone Energy Systems, Inc.  
150 English Drive, Moncton, NB  
Canada E1E 4G7

(506) 853-3057 Fax: (506) 853-6014  
North America: 1-800-561-5611  
e-mail: mail@greystoneenergy.com  
www.greystoneenergy.com

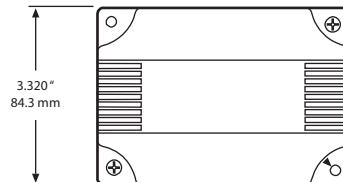
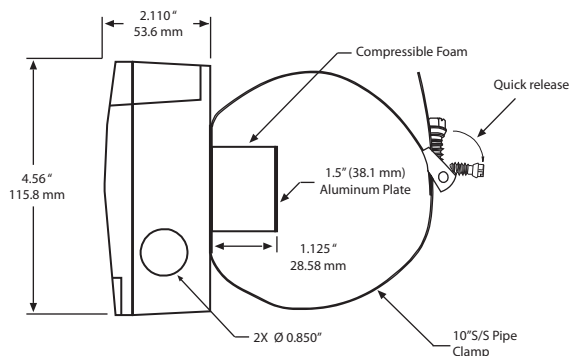
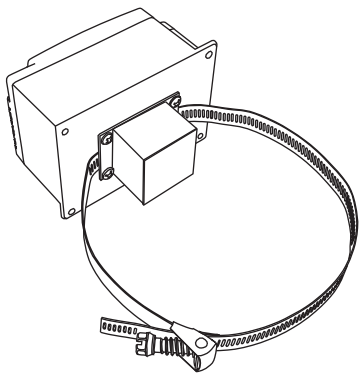
**RoHS**  
COMPLIANT



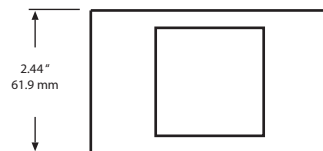
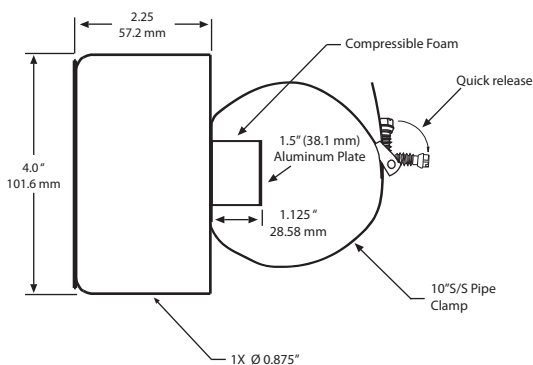
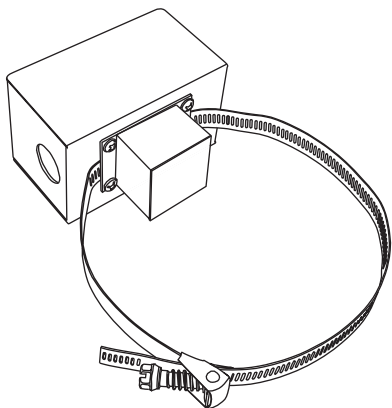
**Dimensions:**



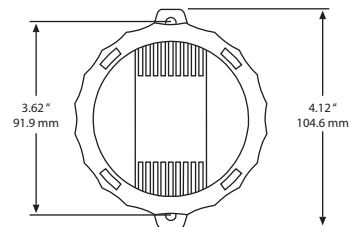
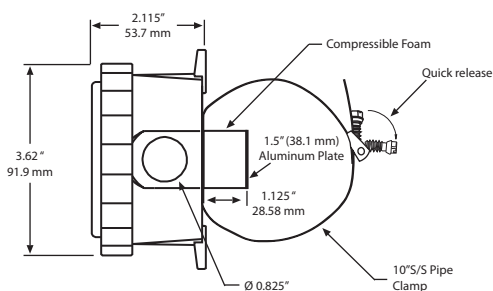
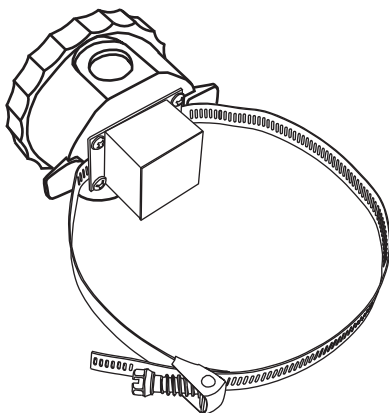
**GREYSTONE**  
ACCURACY BY DESIGN



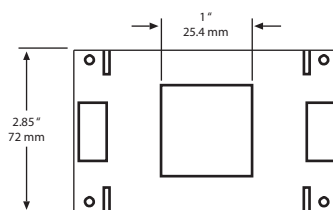
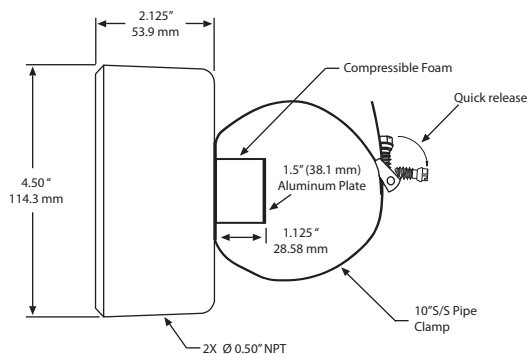
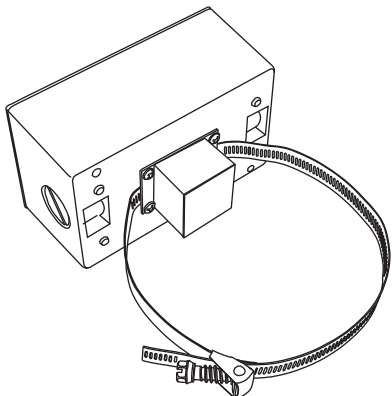
**ABS Enclosure**



**Metal Enclosure (M)**



**Round ABS Enclosure (E)**



**Weatherproof Enclosure (W)**