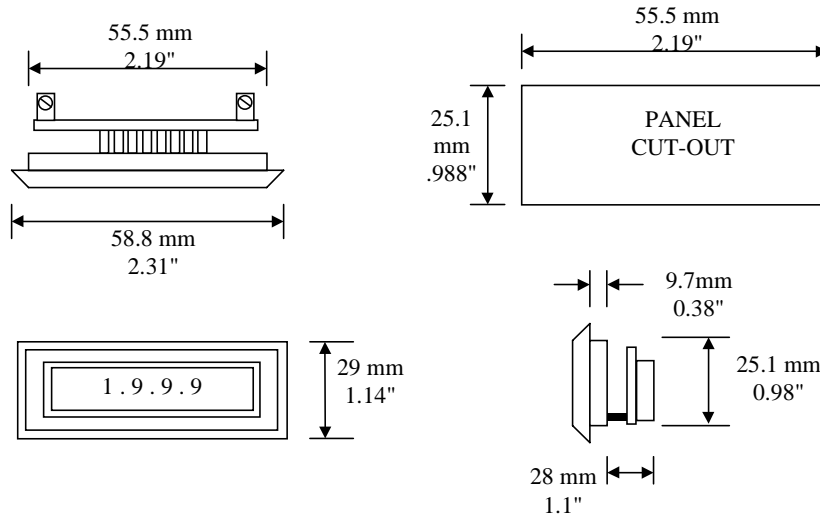


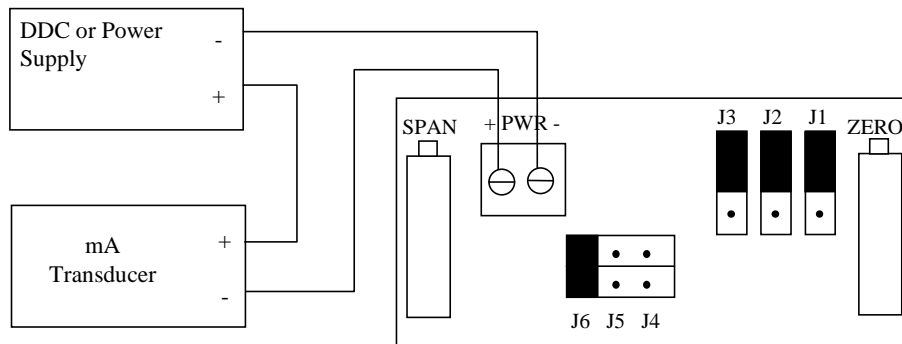
CALIBRATION

1. Apply a 4 mA signal to the display and adjust the zero pot until the minimum amount is displayed.
2. Apply a 20 mA signal to the display and adjust the span pot until the maximum amount is displayed.
3. Repeat steps 1 & 2 until no further adjustments are required.

PANEL MOUNTING

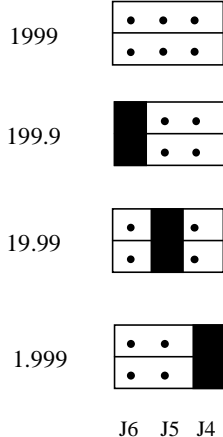


WIRING DIAGRAM



JUMPER SELECTION PROCESS

1. DECIMAL SELECTION (J4, J5, J6)

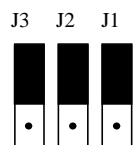


2. J1, J2, J3 SELECTION:
IF:

OFFSET (ZERO) IS ≤ 0

OR

OFFSET (ZERO) IS > 0 AND GAIN (SPAN) + OFFSET (ZERO) IS ≥ 5



IF:

OFFSET (ZERO) IS > 0 AND GAIN (SPAN) + OFFSET (ZERO) IS < 5

