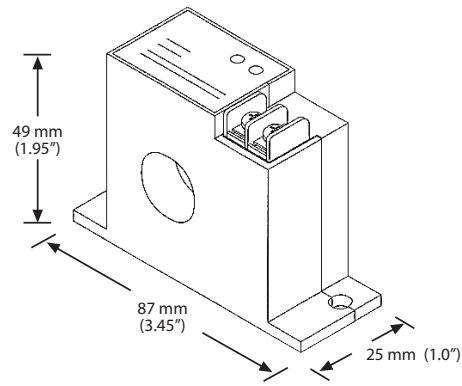
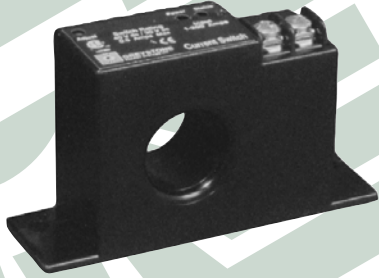


AC CURRENT SWITCH

CS-425-HC Series



APPLICATIONS:

- Direct control of AC loads, such as dryer booster fans, in response to the current of a monitored AC circuit
- Replaces Differential Pressure Switches

DESCRIPTION:

The CS-425-HC products are solid-state current switches with N.O. triac outputs to control high-current line-voltage AC loads. All models have a factory set trip level of approximately 1 Amp and require no field adjustment for easy installation. Internal circuits are powered by induction from the line being monitored and all models are cULu certified.

SPECIFICATIONS:

Maximum Core Current	50 Amps	Turn on time	<200 mS
		Turn off time	0, 5, 10 or 15 minutes (factory set)
Operating Temperature	0 to 40°C (32 to 104°F)	Operating Humidity	0 - 95% RH non-condensing
Trip Set-Point	Approximately 1 Amps	Material	UL 94V-0 flammability rated ABS Insulation Class 600V
Enclosure Size (H x W x D)	49 x 87 x 25 mm (1.95" x 3.45" x 1")	Mounting Holes	2 x 5 mm holes spaced 76 mm on base (2 x 0.19" holes spaced 3" on base)
AC Conductor Hole	20 mm (0.8") Diameter	Switch Type	Solid-state triac
Switch Rating	120 Vac @ 2.5 Amps Max.	Off-state Leakage	<1 mA

DRYER BOOSTER FAN OPERATION:

The CS-425-HC series can operate a dryer booster fan directly. These devices sense when a clothes dryer is drawing 1 Amp of current and then closes the output switch to activate the dryer vent booster fan. When the dryer cycle is complete and the current drops below the threshold, the output switch will remain closed for a pre-set delay time to allow heat to be removed from the vent before the switch is opened again. The device output can switch 120 Vac loads up to 2.5 Amps.

CURRENT SWITCH: PRODUCT ORDERING INFORMATION

Model	Output Type	Switch V Max.	Switch I Max.	Leakage Current	Input I Min.	Input I Max.	Time Delay (off)	Approval
CS-425-HC-0	Triac	120 VAC	2.5 Amp	<1 mA	~1 Amp	50 Amps	none	cULus
CS-425-HC-5	Triac	120 VAC	2.5 Amp	<1 mA	~1 Amp	50 Amps	5 minutes	cULus
CS-425-HC-10	Triac	120 VAC	2.5 Amp	<1 mA	~1 Amp	50 Amps	10 minutes	cULus
CS-425-HC-15	Triac	120 VAC	2.5 Amp	<1 mA	~1 Amp	50 Amps	15 minutes	cULus