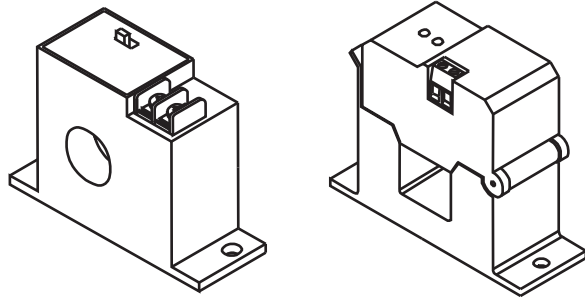


SUBMITTAL Current Sensors

Part Number:



The CS400/SC500 series AC current sensors are solid-state transducers that convert a primary circuit current to a proportional output signal. The sensors can monitor up to 200 Amps continuous and feature three jumper selectable ranges for the highest accuracy. All sensors are factory calibrated to ensure better than 1% accuracy. The CS-450 and the SC-550 are available with 0-5, 0-10 or 4-2 mA output types. The CS-475 and SC-575 feature true RMS 4-20 mA loop-powered output signal

GENERAL SPECIFICATION:

	CS-45X / SC-55X	CS-475 / SC-575
Power Supply	0-5/0-10 Vdc models are self-powered, 4-20 mA model requires 15-42 Vdc loop supply	15-42 Vdc (loop powered)
Input Current Ranges	Three field selectable ranges (see below)	Three field selectable ranges (see below)
Maximum Input Current	10/20/50 Amp ranges - 80/120/180 Amps inrush 50/100/200 Amp ranges - 120/200/325 Amps inrush (see page 3 for SC-551 series)	2/5/10 Amp ranges - 35/60/90 Amps inrush 10/20/50 Amp ranges - 80/120/200 Amps inrush 50/100/200 Amp ranges - 175/300/400 Amps inrush
Response Time	100 mS (0-90%)	250 mS (0-90%)
AC Conductor Hole	Solid Core - 20 mm (0.8") diameter Split Core - 24 x 19 mm (0.95 x 0.75")	Solid Core - 20 mm (0.8") diameter Split Core - 24 x 19 mm (0.95 x 0.75")
Output Loading Error (0-5 / 0-10)	Calibrated with 1 M ohm load, add 1.2% error with 100k ohm	N/A
Enclosure Size (H x W x D)	Solid Core - 49 x 87 x 25 mm (1.95 x 3.45 x 1.0") Split Core - 70 x 87 x 30 mm (2.75 x 3.45 x 1.2")	Solid Core - 49 x 87 x 25 mm (1.95 x 3.45 x 1.0") Split Core - 70 x 87 x 30 mm (2.75 x 3.45 x 1.2")
Operating Temp.	0 to 40°C (32 to 104°F)	0 to 40°C (32 to 104°F)
Protection Circuitry	Reverse voltage protected and output limited	Reverse voltage protected and output limited
Wiring Connections	Solid Core - Barrier strip Split Core - Screw terminals (14 to 22 AWG)	Solid Core - Barrier strip Split Core - Screw terminals (14 to 22 AWG)
Enclosure Material	UL 94 V-0 flammability rated ABS, Insulation class 600V	UL 94 V-0 flammability rated ABS, Insulation class 600V
Output Signal and Accuracy	0-5 Vdc, 0-10 Vdc or 4-20 mA Better than ±1% FS on all three ranges	4 to 20 mA represents 0 to 100% of current span Better than ±1% FS on all three ranges

PRODUCT SELECTION INFORMATION:

Solid Core (CS)					Split Core (SC)				
Model	Output	Approval	Frequency	Amp Ranges	Model	Output	Approval	Frequency	Amp Ranges
CS-450-1	0-5 Vdc	cULus	40-100 Hz	0-10/0-20/0-50	SC-550-1	0-5 Vdc	cCSAus, cULus	40-100 Hz	0-10/0-20/0-50
CS-450-2	0-5 Vdc	cULus	40-100 Hz	0-50/0-100/0-200	SC-550-2	0-5 Vdc	cCSAus, cULus	40-100 Hz	0-50/0-100/0-200
CS-451-1	0-10 Vdc	cULus	40-100 Hz	0-10/0-20/0-50	SC-552-1	4-20 mA	cCSAus, cULus	40-100 Hz	0-10/0-20/0-50
CS-451-2	0-10 Vdc	cULus	40-100 Hz	0-50/0-100/0-200	SC-552-2	4-20 mA	cCSAus, cULus	40-100 Hz	0-50/0-100/0-200
CS-452-1	4-20 mA	cULus	40-100 Hz	0-10/0-20/0-50	SC-575-1	4-20 mA	cCSAus, cULus	10-400 Hz	0-10/0-20/0-50
CS-452-2	4-20 mA	cULus	40-100 Hz	0-50/0-100/0-200	SC-575-2	4-20 mA	cCSAus, cULus	10-400 Hz	0-50/0-100/0-200
CS-475-0	4-20 mA	cULus	10-400 Hz	0-2/0-5/0-10					
CS-475-1	4-20 mA	cULus	10-400 Hz	0-10/0-20/0-50					
CS-475-2	4-20 mA	cULus	10-400 Hz	0-50/0-100/0-200					

SC551 - Split Core (SC)					
Model	Output	Approval	Frequency	Amp Ranges	Max. Amp
SC-551-10	0-10 Vdc	cULus	40-100 Hz	0-10 Amps	140 Amps
SC-551-25	0-10 Vdc	cULus	40-100 Hz	0-25 Amps	160 Amps
SC-551-50	0-10 Vdc	cULus	40-100 Hz	0-50 Amps	190 Amps
SC-551-100	0-10 Vdc	cULus	40-100 Hz	0-100 Amps	250 Amps
SC-551-200	0-10 Vdc	cULus	40-100 Hz	0-200 Amps	350 Amps



GREYSTONE

ACCURACY BY DESIGN

Greystone Energy Systems, Inc.
150 English Drive, Moncton, NB
Canada E1E 4G7

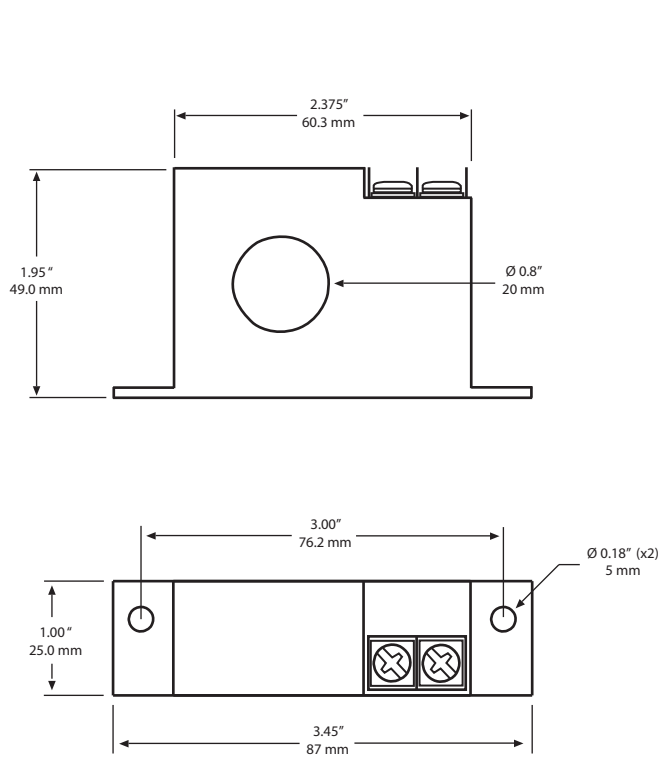
(506) 853-3057 Fax: (506) 853-6014
North America: 1-800-561-5611
e-mail: mail@greystoneenergy.com
www.greystoneenergy.com

RoHS
COMPLIANT

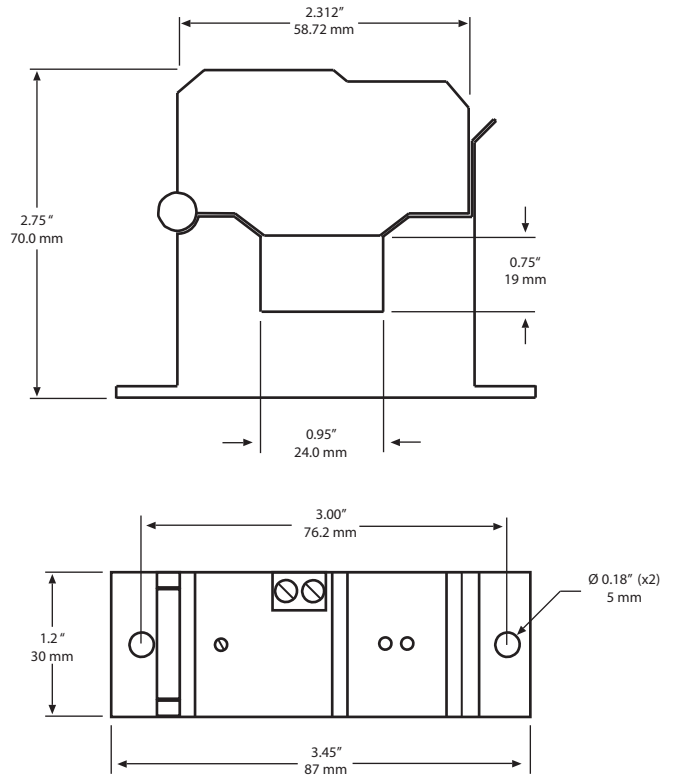


Dimensions:

CS Series Solid Core



SC Series Split Core



Typical Installation:

