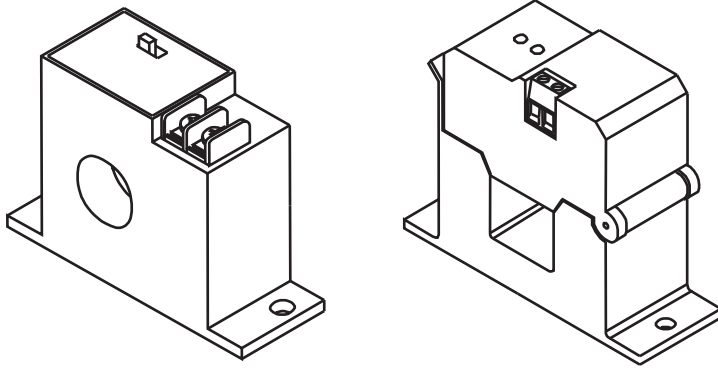


# SUBMITTAL Current Switches

## Part Number:



The CS400/SC500 series AC current switches are solid-state switches that activate a contact closure whenever the monitored primary circuit current exceeds a pre-set level. Several models are available to switch various load types as indicated in the ordering chart below.

Several models feature integral LEDs to indicate device power and also switch status. Most switch models include a multi-turn adjustment to set the trip threshold to the desired value and the GnG model operates as a go/no-go status indicator with a factory set minimum threshold value. The switches can monitor up to 200 Amps continuous and feature an auto-range circuit to eliminate manual jumpers.

### GENERAL SPECIFICATION:

Setpoint Range	CS - 1-200 Amps SC - 1.5 - 200 Amps CS-GNG - 1 Amp Fixed CS-GNG-L - 1.5 Amp Fixed CS-325/SC525-S - Jumper selectable Jumper Amp-Turns Low (none) 1-6 Medium 6-40 High 40-200 40-150 (SC-525)	Enclosure Size (H x W x D)	Solid Core - 49 x 87 x 25 mm (1.95 x 3.45 x 1.0") Split Core - 70 x 87 x 30 mm (2.75 x 3.45 x 1.2")
Wiring Connections	Solid Core - Barrier Strip Split Core - Screw terminals (14 to 22 AWG)	Enclosure Material	UL 94V-0 flammability rated ABS Insulation Class 600V
Hysteresis	<2% FS max.	Certification	CSA or UL (see table below), CE
Operating Temperature	0° to 40°C (32° to 104°F)	Power Supply	None - self-powered
Response Time	<200 ms	AC Conductors Hole	Solid Core - 20 mm (0.8") diameter Split Core - 24 x 19 mm (0.95 x 0.75")

### PRODUCT SELECTION INFORMATION:

Model	Output Type	Switch V Max	I Max	Von@ 24Vdc @ 150 mA	Leakage Current	Power LED	Status LED	Auto Range	Input I Min	Input I Max	Approval
CS-GNG	Mosfet	30Vac/40Vdc	500 mA	<0.1 V	<25 µA	No	No	Yes	1.0A	200A	cULus
CS-GNG-L	Mosfet	30Vac/40Vdc	500 mA	<0.1 V	<25 µA	No	No	Yes	0.5A	200A	cULus
CS-410	Mosfet	30Vac/40Vdc	500 mA	<0.1 V	<25 µA	Yes	Yes	Yes	1.0A	200A	cULus
CS-325*	Triac	250Vac	1 Amp	n/a	<5 mA	No	No	No	1.25A	200A	cCSAus
CS-325-NS*	Triac	250Vac	1 Amp	n/a	<1 mA	No	No	No	1.25A	200A	cCSAus
SC-GNG	Mosfet	30Vac/40Vdc	500 mA	<0.1 V	<25 µA	No	No	Yes	1.5A	200A	cCSAus, cULus
SC-510	Mosfet	30Vac/40Vdc	500 mA	<0.1 V	<25 µA	Yes	Yes	Yes	1.5A	200A	cCSAus, cULus
SC-525-S*	Triac	120 Vac	500 mA	n/a	<5 mA	No	No	No	1.5A	150A	cULus
SC-525-NS*	Triac	120 Vac	500 mA	n/a	<1 mA	No	No	No	1.5A	150A	cULus



# GREYSTONE

ACCURACY BY DESIGN

Greystone Energy Systems, Inc.  
150 English Drive, Moncton, NB  
Canada E1E 4G7

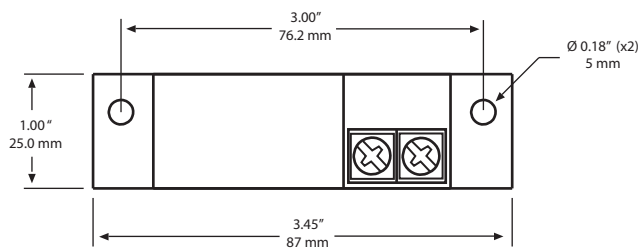
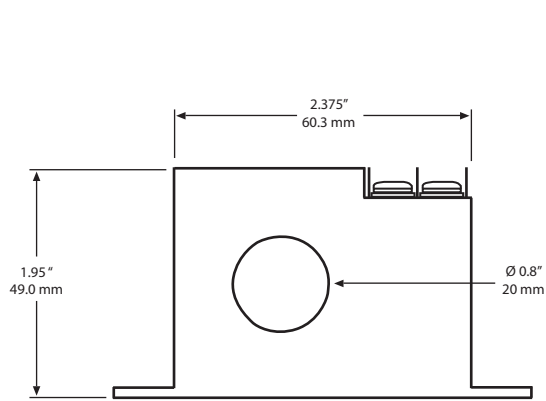
(506) 853-3057 Fax: (506) 853-6014  
North America: 1-800-561-5611  
e-mail: mail@greystoneenergy.com  
www.greystoneenergy.com

RoHS  
COMPLIANT

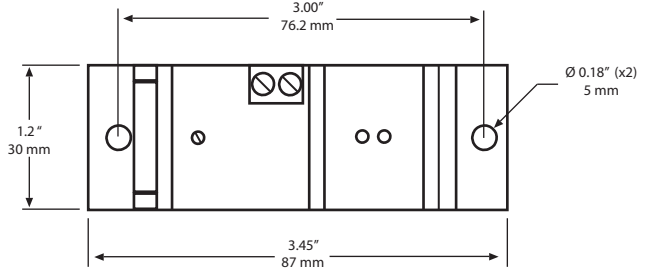
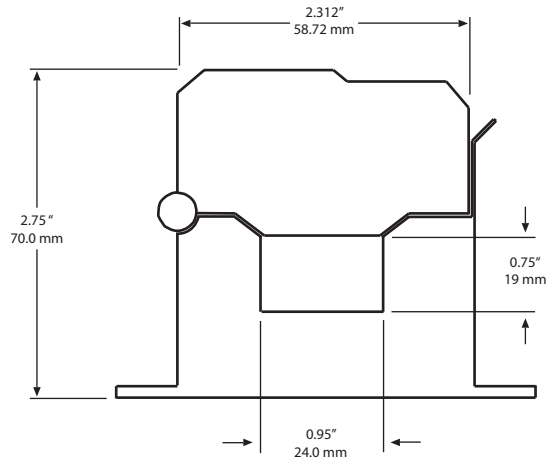


**Dimensions:**

**CS Series Solid Core**



**SC Series Split Core**



**Typical Installation:**

