

# SUBMITTAL

## Outside Air Temperature Transmitter

Part Number:

### PRODUCT SELECTION INFORMATION:

MODEL	Product Description
TE500F	Outside Air Temperature Transmitter w/ hinged cover, ABS gasketed enclosure
TE500FE	Outside Air Temperature Transmitter w/ round ABS gasketed enclosure

CODE	Sensor
2	PT100-100 Ω Plat. IEC 751, 385 Alpha, thin film
12	PT1000-1000 Ω Platinum, IEC 751, 385 Alpha, thin film

CODE	Transmitter Output Signal
1A	Current 4-20mA
1D	Voltage 0-5 Vdc
1E	Voltage 0-10 Vdc

CODE	Transmitter Range
1	0° - 35°C (32° - 95°F)
2	0° - 50°C (32° - 122°F)
3	0° - 100°C (32° - 212°F)
6	-50° - 50°C (-58° - 122°F)
*	Custom range, please contact Greystone

TE500F 12 1A 6

Greystone Energy Systems, Inc. reserves the right to make design modifications without prior notice.

**EXAMPLE:** Outside Air, 4-20 mA, -50 to 50 °C

**\*Custom Range:**

The TE500F, single point outside air temperature sensor utilizes a precision platinum RTD sensor. All probes are constructed to provide excellent heat transfer, fast response and are potted to resist moisture penetration. A sun and wind shield is integrated into the enclosure. The F series is provided in a weatherproof ABS enclosure and the FE series in a round weatherproof ABS enclosure. A transmitter that provides a high accuracy signal with excellent long term stability, low hysteresis and fast response is available with various ranges. (See ordering chart)

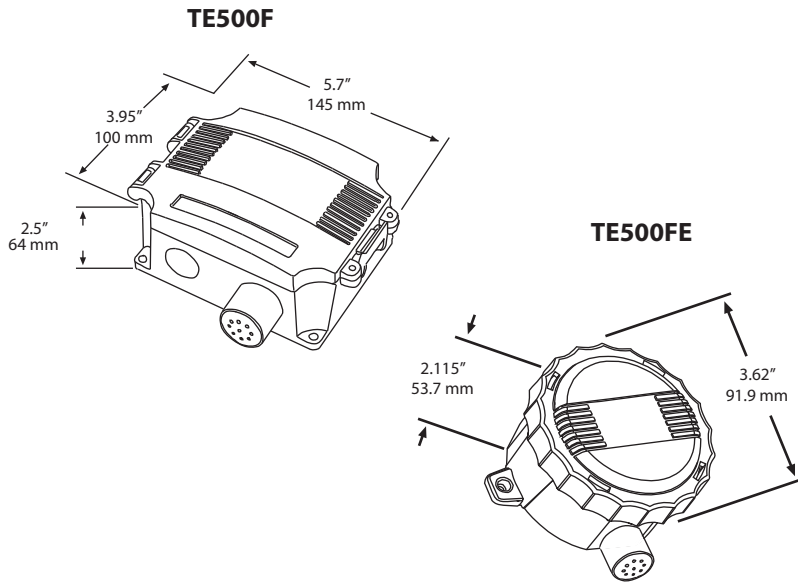
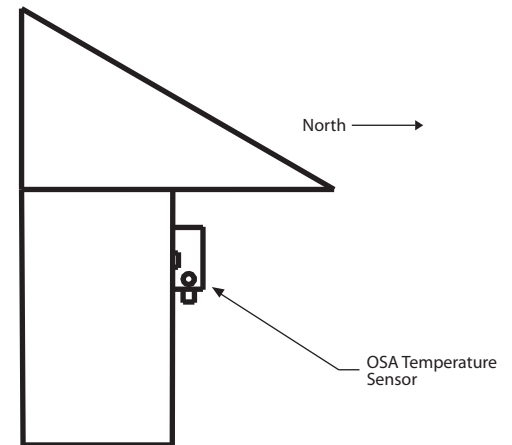
Operating Temperature Range	-50° to 85 °C (-58° to 185 °F) Higher ranges available, please contact Greystone
Enclosure	<b>Weatherproof</b> - ABS - Hinged cover - NEMA 4X (IP66) <b>Weatherproof</b> - Round ABS - NEMA 4X (IP66)
Cable	PVC insulated, parallel bonded (Type 2, 100 ohm Platinum uses FT-4)
Output Signal	<b>Current:</b> 4-20 mA current loop <b>Voltage:</b> 0-5 or 0-10 Vdc (Factory Configured)
Transmitter Accuracy	±0.1% of span, including linearity
Power Supply	<b>Current:</b> 15-35 Vdc or 22-32 Vac <b>Voltage:</b> 0-5 Vdc; 10-35 Vdc or 10-32 Vac 0-10 Vdc; 15-35 Vdc or 15-32Vac
Power Consumption	<b>Current:</b> 22.5 mA Max. (Occurs with open sensor) <b>Voltage:</b> 5 mA nominal
Wiring Connections	Two or three wires Screw terminal block (14 to 22 AWG)

### Installation:

**For complete installation and wiring details, please refer to the product installation instructions.**

The TE500F/FE should be mounted on an outside North facing wall, under the eaves which will provide protection from direct sunlight.

The TE500F/FE can be mounted directly to buildings wall face using the provided mounting holes. There is one 0.85" holes for conduit connection.



# GREYSTONE

ACCURACY BY DESIGN

Greystone Energy Systems, Inc.  
150 English Drive, Moncton, NB  
Canada E1E 4G7

(506) 853-3057 Fax: (506) 853-6014  
North America: 1-800-561-5611  
e-mail: mail@greystoneenergy.com  
www.greystoneenergy.com

RoHS  
COMPLIANT

