



GREYSTONE

ACCURACY BY DESIGN

OUTSIDE TEMPERATURE SENSOR TE200F Series

The TE200F, single point outside air temperature sensor utilizes a precision sensor. All probes are constructed to provide excellent heat transfer, fast response and are potted to resist moisture penetration. A sun and wind shield is integrated into the enclosure. The F is provided in a weatherproof aluminum enclosure, the FE in a round weatherproof ABS enclosure and the FX in a weatherproof ABS enclosure w/ hinged cover.



SPECIFICATION:

Sensor Type:.....Thermistor or RTD
See Ordering Chart

Temperature Range:..-50 to 100 °C (-58 to 212 °F)
Higher Ranges Available
Contact Greystone

Wire Material:.....PVC insulated, parallel bonded
(Type 2, 100 ohm platinum uses FT-4)

Probe Material:.....304 Series Stainless Steel

Probe Dimensions:.....0.25" (6.35 mm) Diameter

Enclosure:.....F - Cast Aluminum - Nema 4 (IP66)
FE - ABS - Round - Nema 12 (IP64)
FX - ABS - Hinged Cover - Nema 12 (IP64)

Termination:.....Pigtail 2 or 3 wire
Terminal block with (E) enclosure

PART NUMBER SELECTED

PRODUCT SELECTION INFORMATION:

MODEL	Product Description
TE200F	Outside Air Temperature Sensor c/w aluminum enclosure
TE200FE	Outside Air Temperature Sensor c/w Round ABS enclosure
TE200FX	Outside Air Temperature Sensor c/w ABS enclosure and hinged cover

TYPICAL INSTALLATION:

For complete installation and wiring details, please refer to the product installation instructions.

The TE200F, FE and FX should be mounted on an outside north facing wall, under the eaves which will provide protection from direct sunlight.

The TE200F is mounted by extending a threaded end of the 1/2" conduit used for wiring through the building wall so that it extrudes at least 1-2" from the wall face. The sensor can be threaded directly onto the conduit until the unit is tight and pointing towards the ground. Remove access cover, feed wires through and connect.

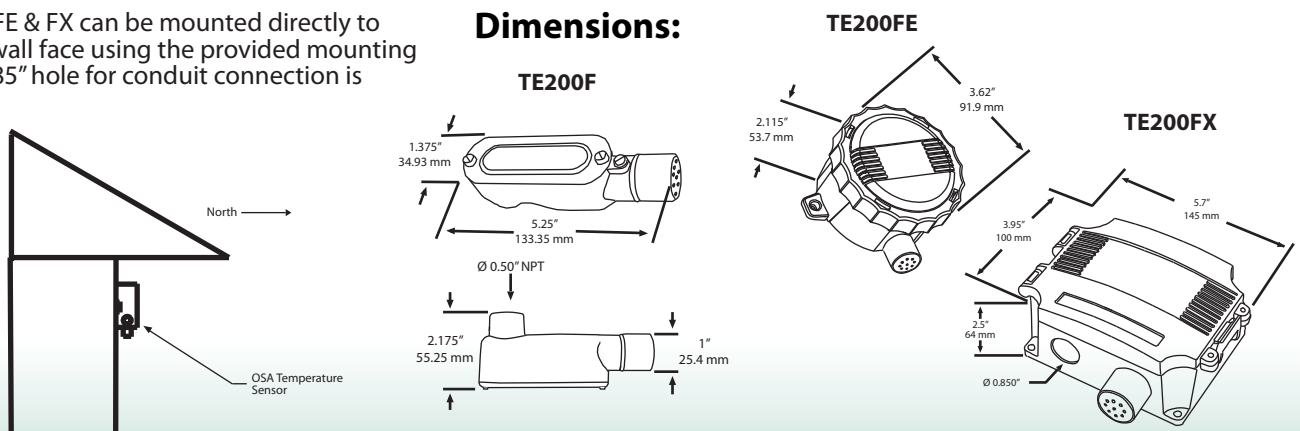
The TE200FE & FX can be mounted directly to buildings wall face using the provided mounting holes. A 0.85" hole for conduit connection is provided.

CODE	Sensor
2	PT100-100 Ω Plat. IEC 751, 385 Alpha, thin film
5	1801 Ω, NTC Thermistor, ±0.2 C
6	3000 Ω, NTC Thermistor, ±0.2 C
7	10,000 Ω, type 3, NTC Thermistor, ±0.2 C
8	2.252K Ω, NTC Thermistor, ±0.2 C
9	100,000 Ω, NTC Thermistor, ±0.2 C
12	PT1000-1000 Ω Platinum, IEC 751, 385 Alpha, thin film
13	1000 Ω Nickel
14	10,000 Ω, type 3, NTC Thermistor, ±0.2 C c/w 11K shunt resistor
15	PT3000 PTC Platinum, ±0.2 C
20	20,000 Ω, NTC Thermistor, ±0.2 C
24	10,000 Ω, type 2, NTC Thermistor, ±0.2 C

TE200F 7

Greystone Energy Systems, Inc. reserves the right to make design modifications without prior notice.

Dimensions:



Greystone Energy Systems, Inc. (506) 853-3057 Fax: (506) 853-6014
 150 English Drive, Moncton, NB North America: 1-800-561-5611
 Canada E1E 4G7 e-mail: mail@greystoneenergy.com
 www.greystoneenergy.com

RoHS COMPLIANT

